



Assembly Instructions & General Overview

STRETCH™

benching system

General Overview

Stretch benching is a modular system designed to be easy to install and specify as well as being easily reconfigured. At the core of the system are the legs and cable trays, which are able to extend or retract to accommodate multiple work surface lengths without specifying additional components. The whole system can be assembled with two allen wrenches and a drill with a phillips head driver.

NOTE: BECAUSE STRETCH IS AN ADJUSTABLE WIDTH SYSTEM IT IS IMPORTANT TO LEAVE ALL FASTENING SCREWS ON WORKSURFACES AND CABLE TRAYS LOOSE UNTIL ALL WORKSURFACES HAVE BEEN PLACED AND SCREEN BRACKETS HAVE BEEN INSTALLED. ONCE ALL COMPONENTS ARE ALIGNED, SECURELY TIGHTEN ALL SCREWS.

Assembly Order

1. Assemble legs and cable trays
2. Place and position floor supporting storage
3. Lay in any cabling and power components
4. Place work surfaces and screen brackets
5. Fasten work surfaces to legs while leaving screen brackets in place but loose
6. Install screens into brackets and tighten brackets to screen and work surface
7. Level legs and floor supporting storage
8. Hang screen accessories
9. Tighten all screws!

STRETCH™

benching system

Structural Component Assembly (Cable Tray & Support Leg)

Remove the two screws and flat plate from the receiver on the leg.



Insert teeth on cable tray into receiving slots on leg.



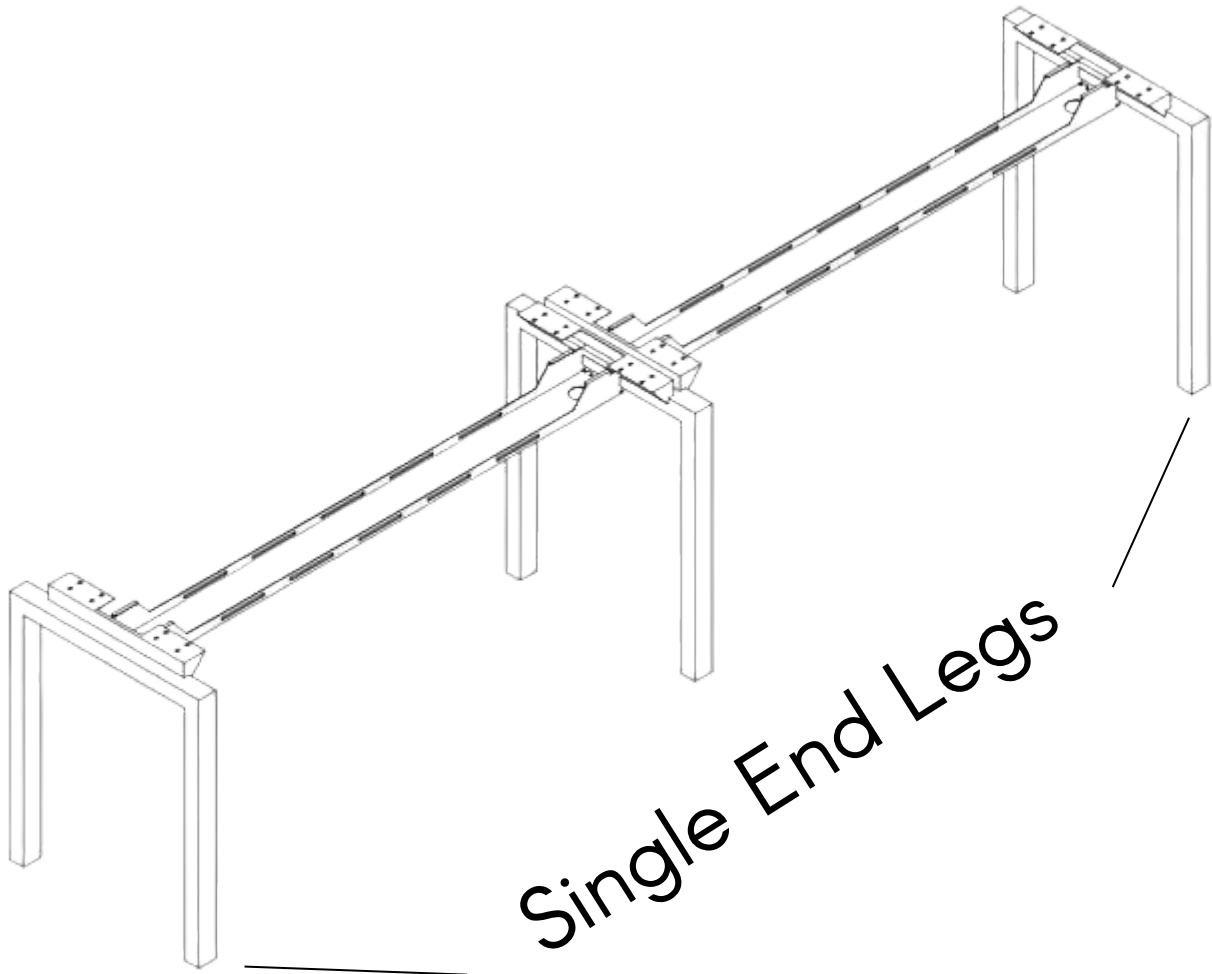
After inserting the teeth, the cable tray must be pushed down to lock the teeth into the leg (a rubber hammer may be used to assist). Re-install the two hole plate and tighten the screws to fully secure the cable tray.



STRETCH[™] *benching system*

Structural Component Assembly (Cable Tray & Support Leg)

There are four types of main support legs (two types of single legs and two types of double legs). Single end legs are used at the end of runs or on both sides of a single free standing desk.

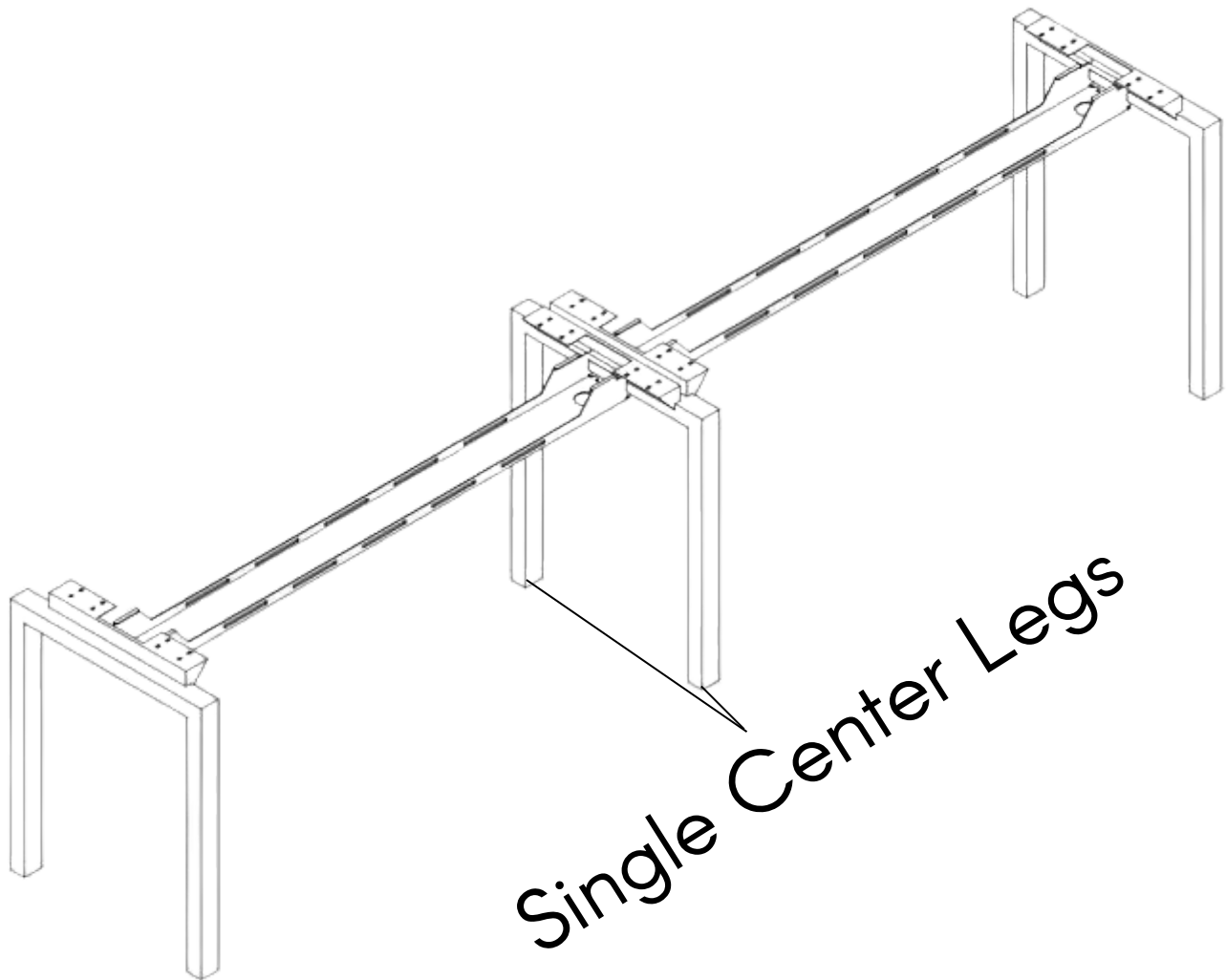


STRETCH™

benching system

Structural Component Assembly (Cable Tray & Support Legs)

Single center legs are used in between desks in the middle of runs and have cable tray receivers on both sides.



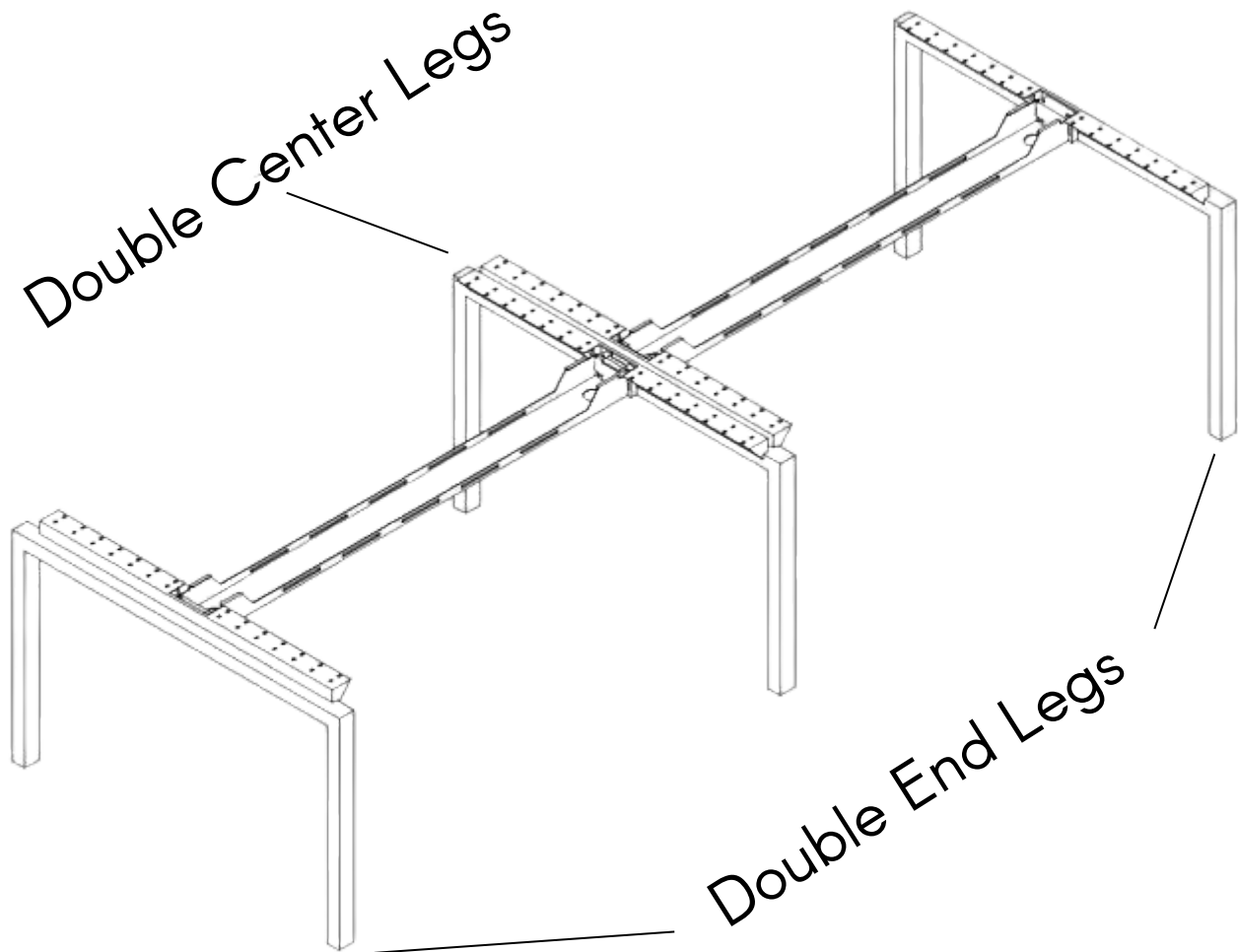
The double legs are used in the same manner as the single legs but are used for pods (back to back configuration)

STRETCH™

benching system

Structural Component Assembly (Cable Tray & Support Legs)

The double legs are used in the same manner as the single legs but are used for pods (back to back configuration)

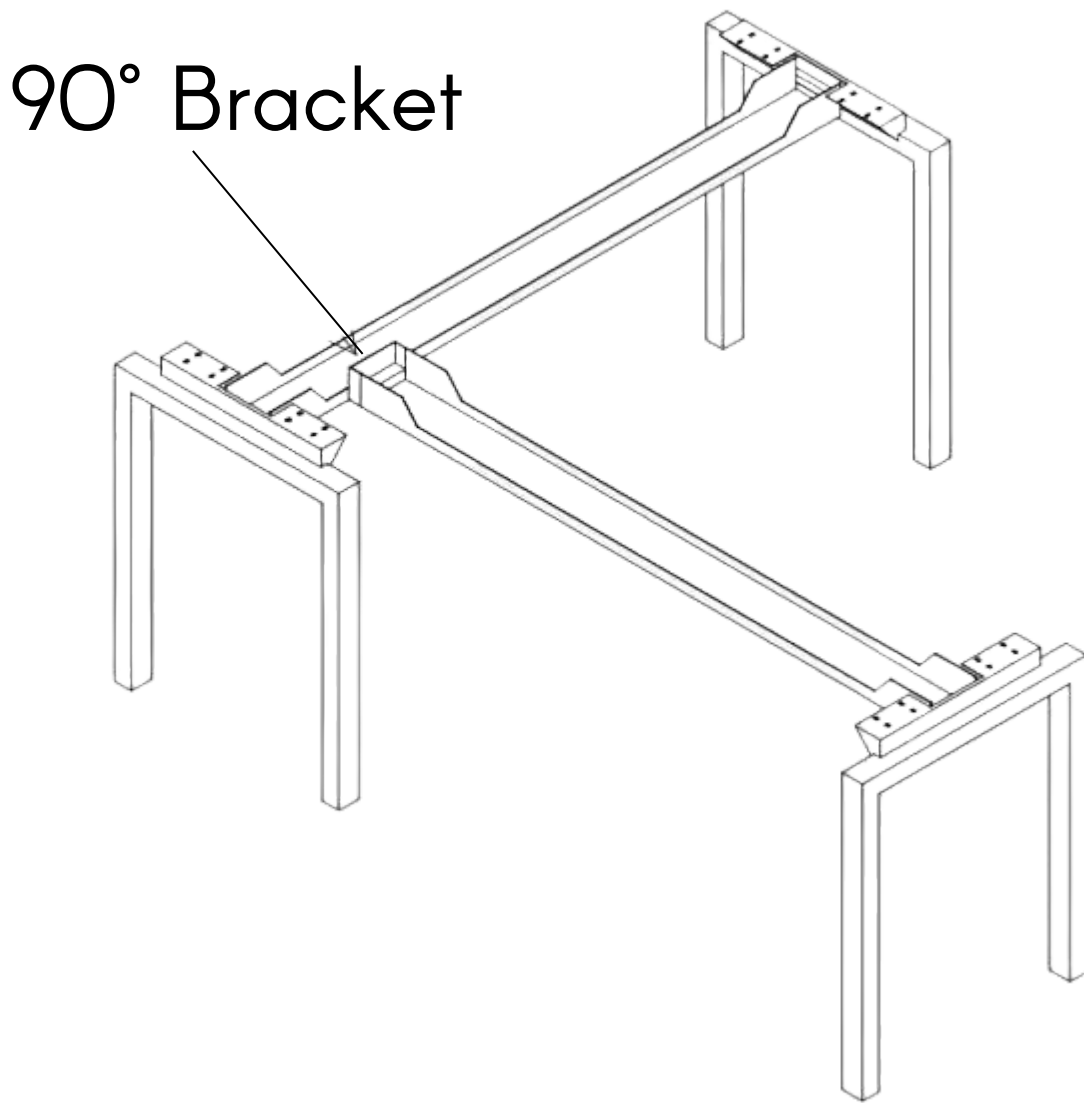


STRETCH™

benching system

Structural Component Assembly (Cable Tray & Support Legs)

Under worksurface cable management can be added to return worksurfaces by using a 90 degree bracket.

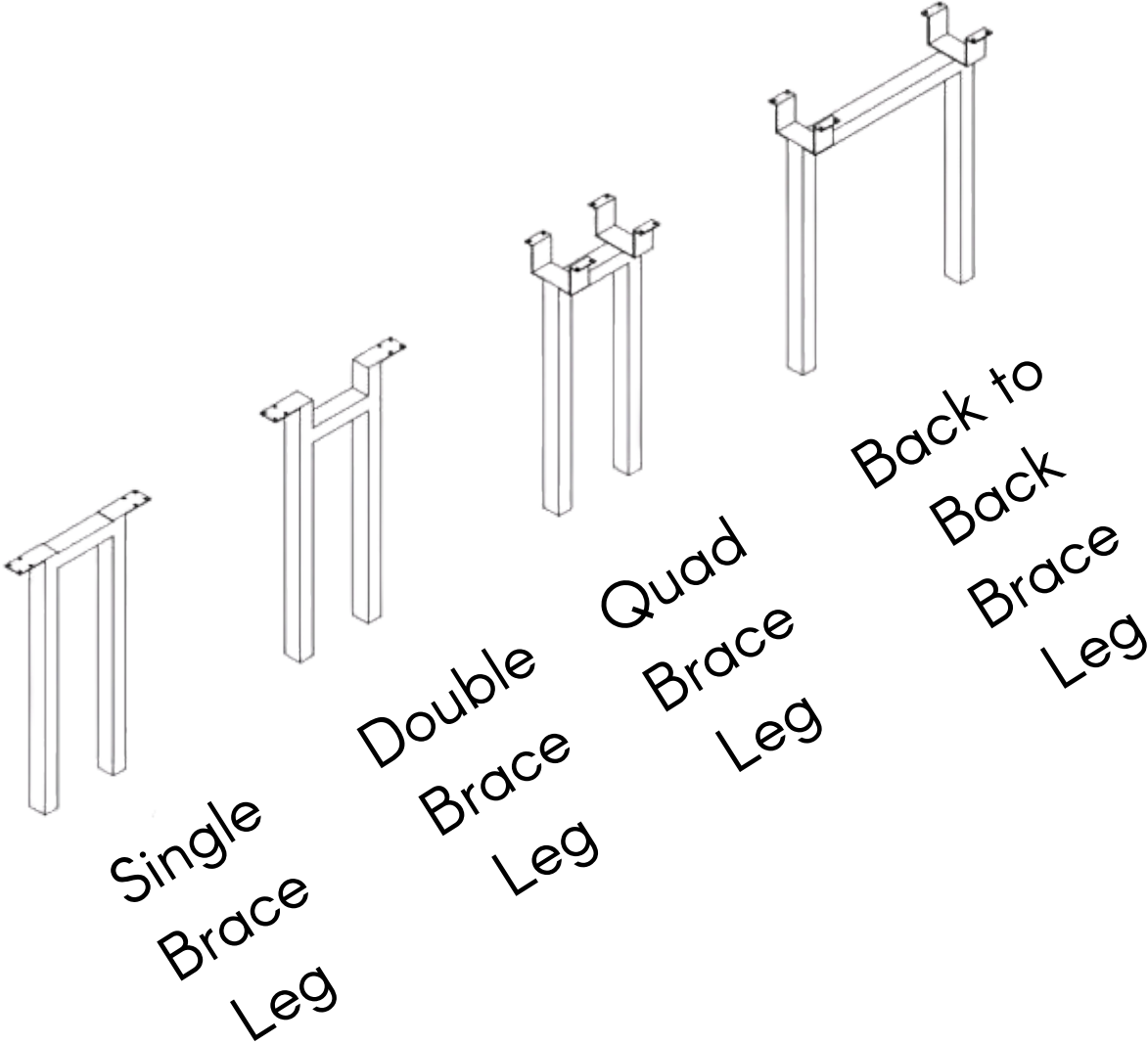


STRETCH™

benching system

Structural Component Assembly (Brace Legs)

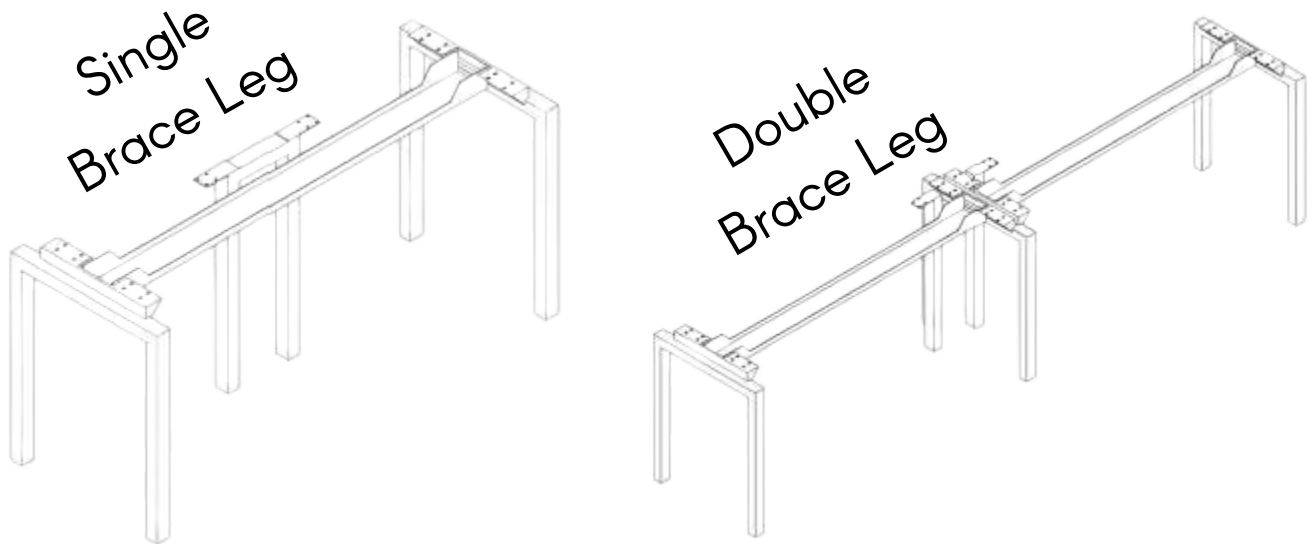
In addition to the main support legs there are four brace legs used for stabilizing when no return work surfaces are utilized. Brace legs are always installed perpendicular to End legs and Center legs. Two of the legs are used for single sided run configurations and two of the legs are used for pod configurations. Refer to pages 9 and 10 for typical placement.



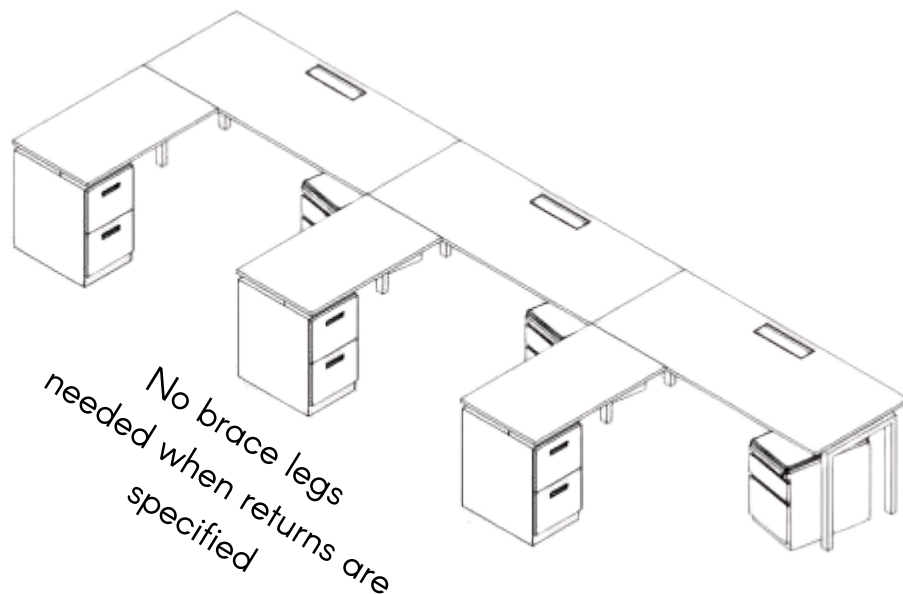
STRETCH™ benching system

Structural Component Assembly (Brace Leg Single & Double)

The first two legs are used for single sided pods also know as runs (Single Brace Leg & Double Brace Leg). See below for typical installation locations.



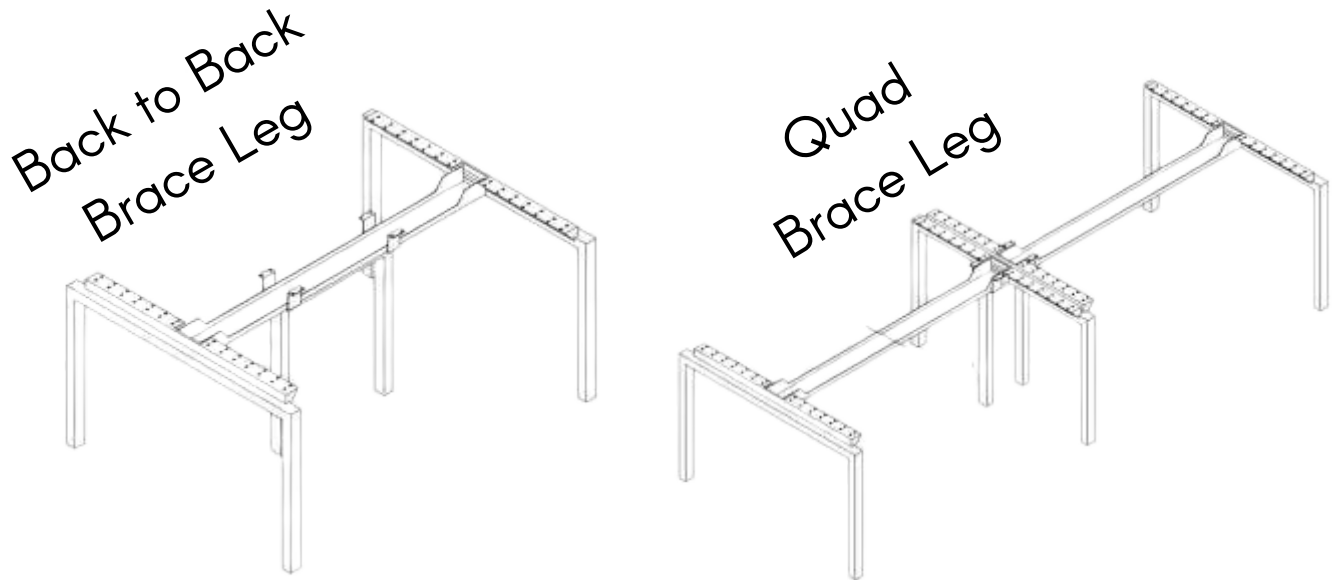
Note: When return work surfaces are utilized brace legs are not necessary.



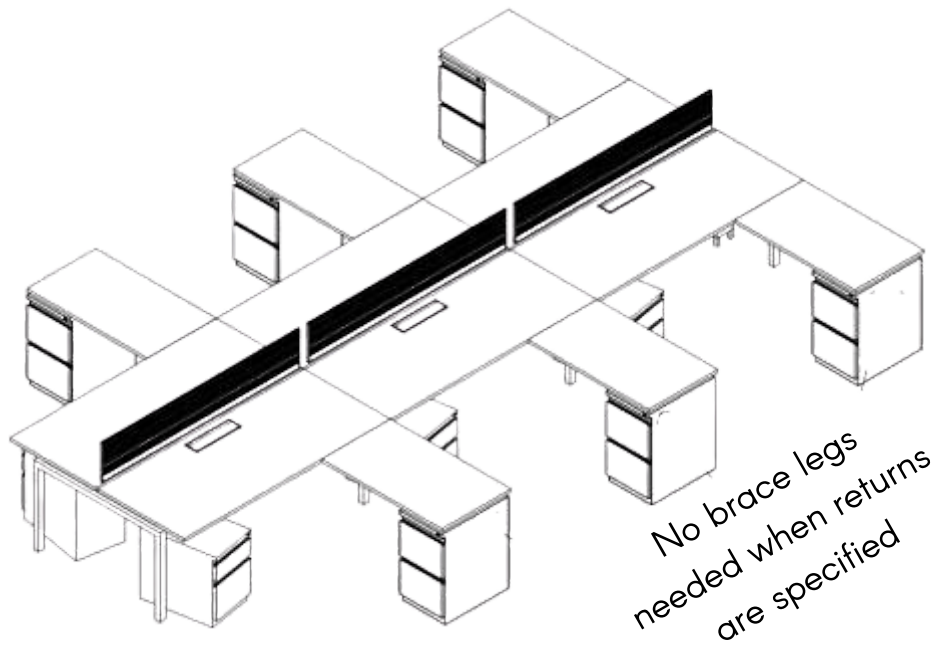
STRETCH™ benching system

Structural Component Assembly (Brace Leg Quad & Back to Back)

The other two legs are used for double sided pods (quad brace leg & brace leg back to back). See below for typical installation locations.



Note: When return work surfaces are utilized brace legs are not necessary.

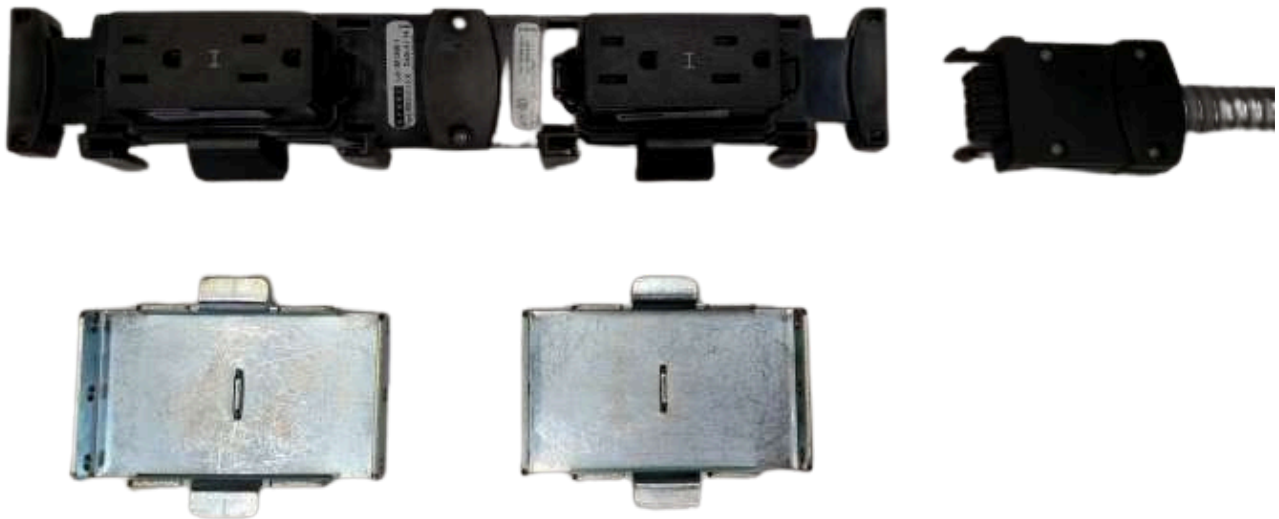


STRETCH™

benching system

Power Components & Installation

Below are the components that make up the power system. Power Bar with duplexes, slide mount brackets and jumper or base infeed.



STRETCH™ benching system

Power Components & Installation

Slide the brackets into the end of the cable tray as shown



STRETCH™

benching system

Power Components & Installation

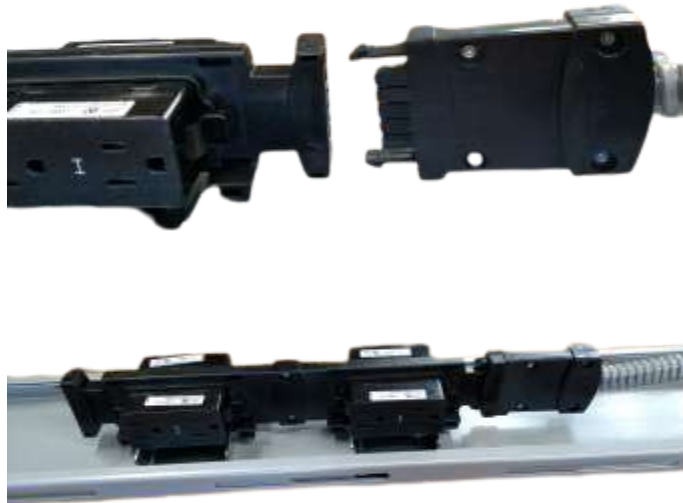
Slide the power bar on to the clips until secure.



STRETCH™ benching system

Power Components & Installation

Connect base power infeed to power bar and connect jumpers between power bars.



When power bars are in the desired location install the 4 securing screws that came with the cable tray.



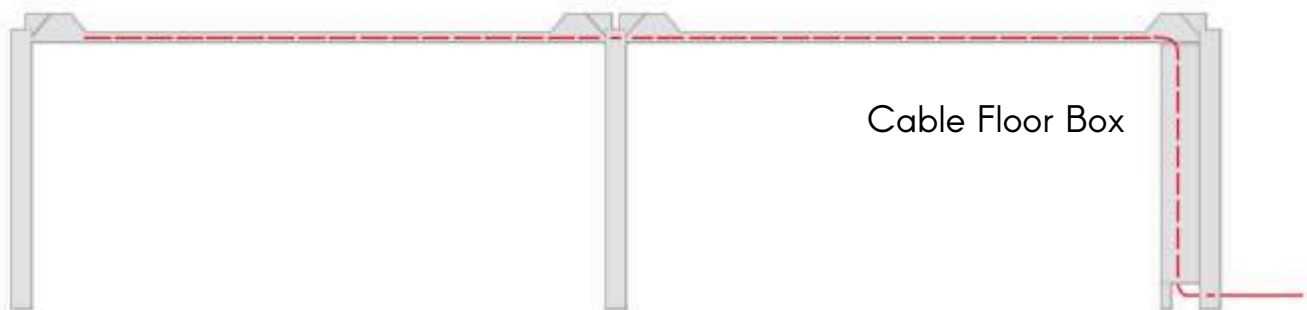
STRETCH™ benching system

Cable Floor Box & Power Pole (Cable Routing)

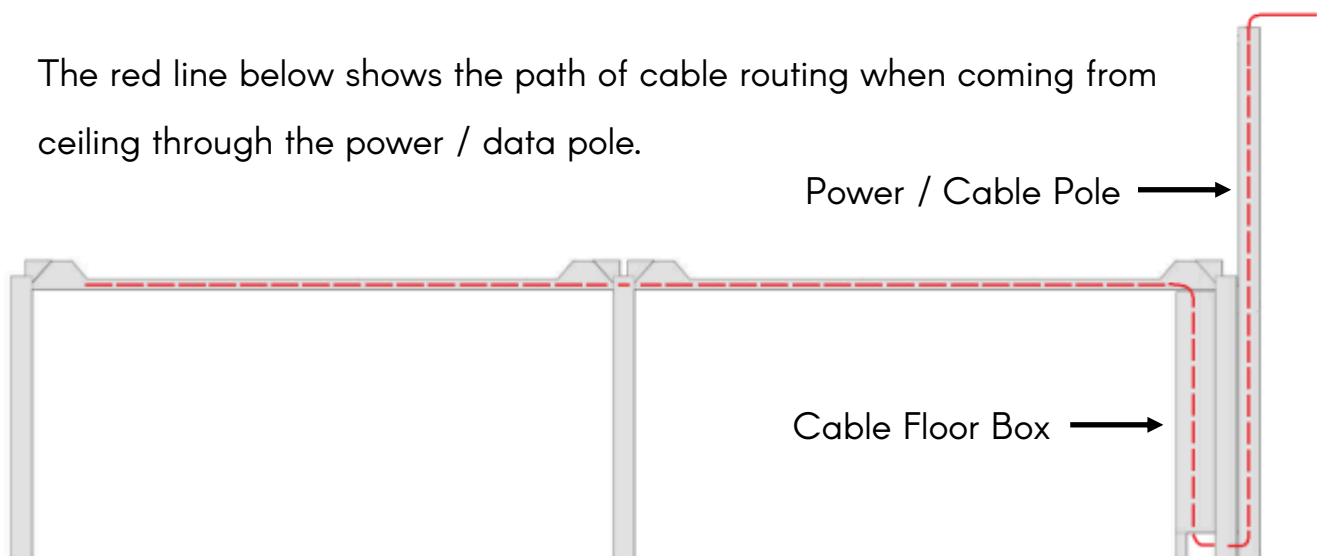
The cable floor box is a hollow box elevated by four legs to allow cabling to pass underneath and then up to the cable tray.



The red line below shows the path of cable routing when coming from the wall or floor.



The red line below shows the path of cable routing when coming from ceiling through the power / data pole.



STRETCH™

benching system

Network Cable Installation

Network cables shown installed in power way after power raceways and duplexes have been installed.



Center legs are cut out in the middle to allow cables to pass through to the next tray



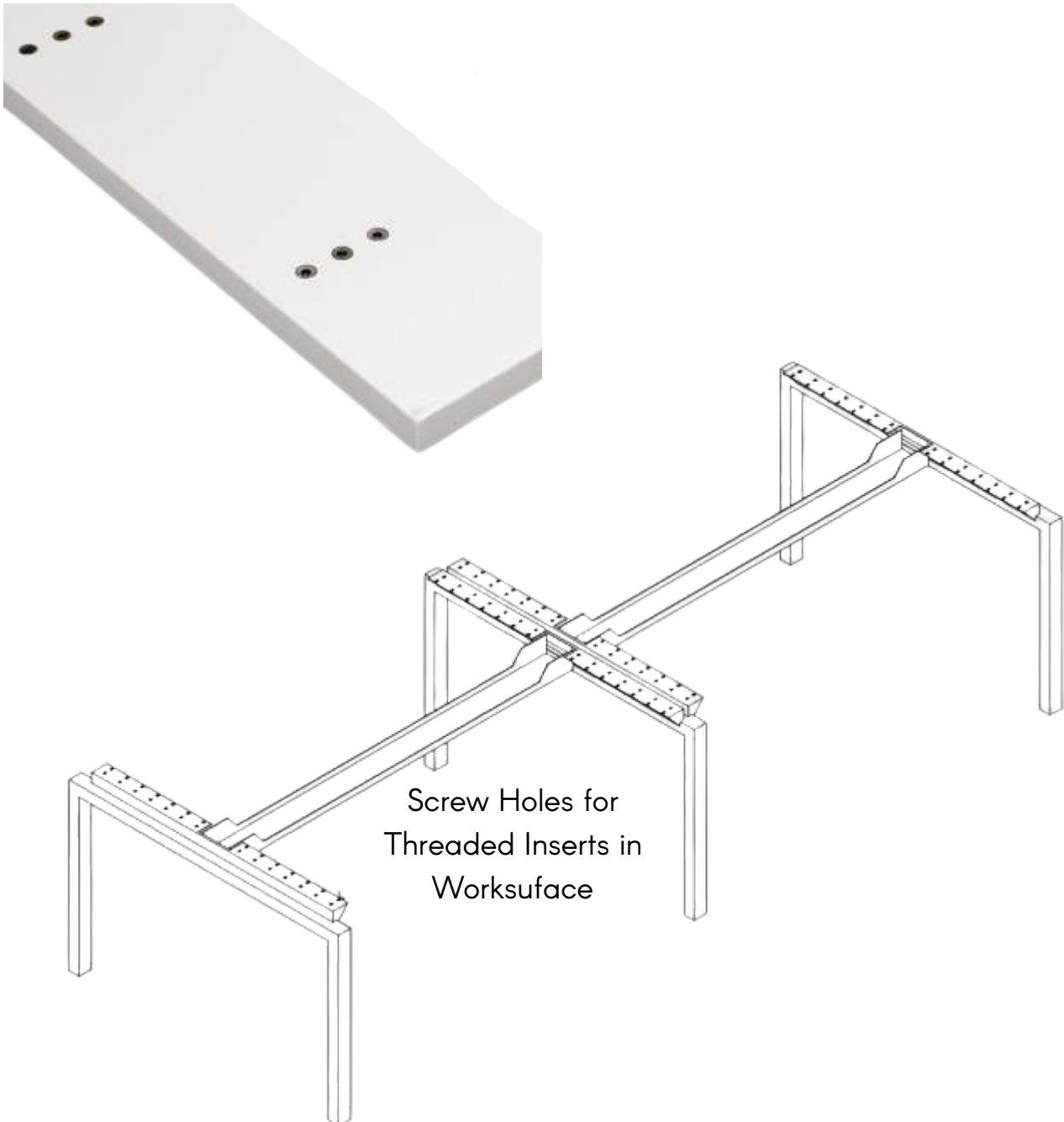
- Do NOT send base in-feeds out early.
- Some connectors cannot pass through cable tray openings.
- Installers sometimes cut metal to fit.
- Avoid excess cable coiling.

STRETCH™

benching system

Worksurface Installation

The main worksurfaces have threaded inserts pre-installed that match with the location of the holes on the primary Stretch legs. 6MM machine screws are used to attach the worksurface to the legs.



STRETCH™

benching system

Worksurface Installation

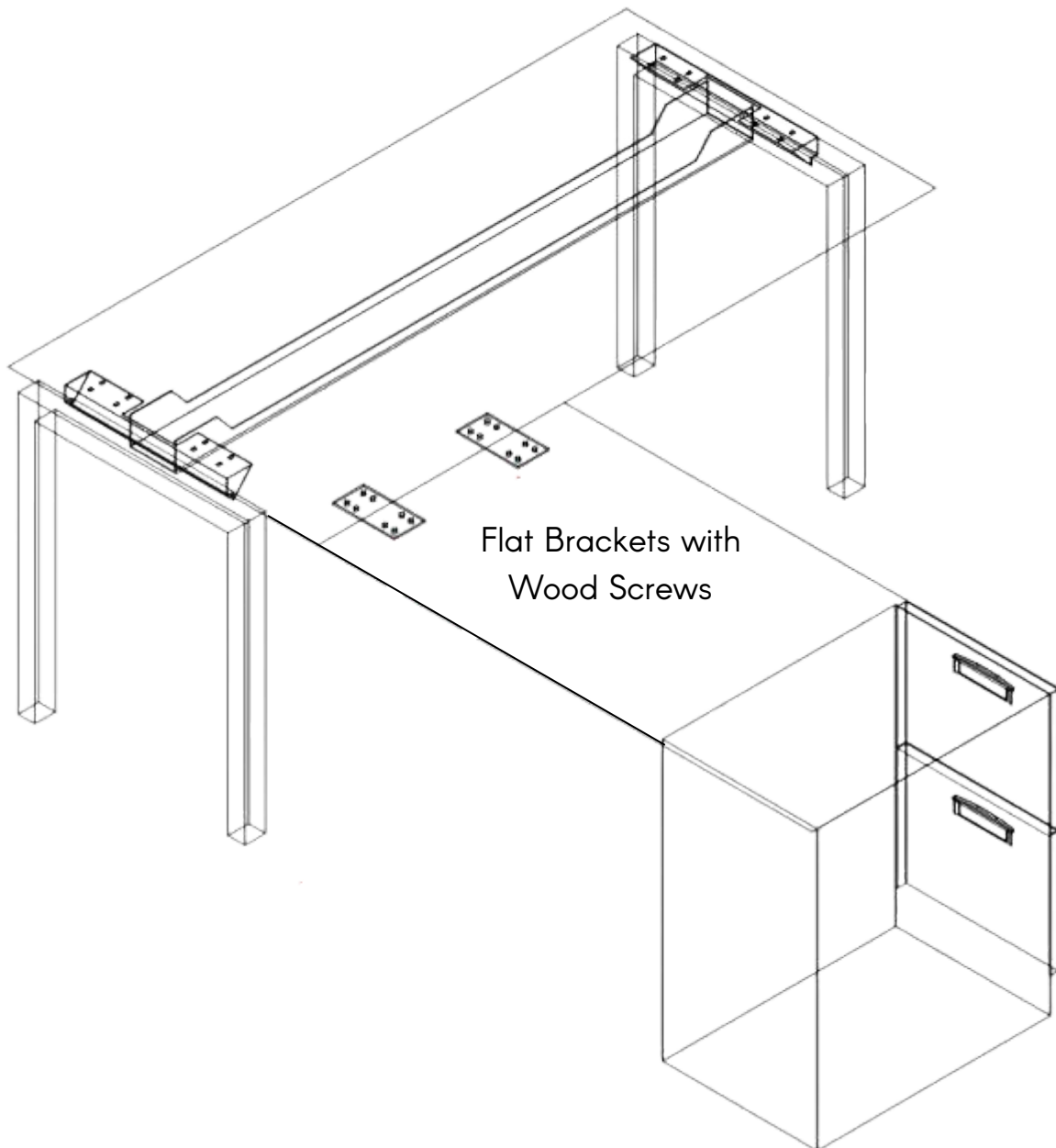
On end of runs worksurface edge should be flush with the Stretch leg.



STRETCH™ benching system

Worksurface Installation

Return worksurfaces are attached via wood screws and flat brackets to the main work surface.

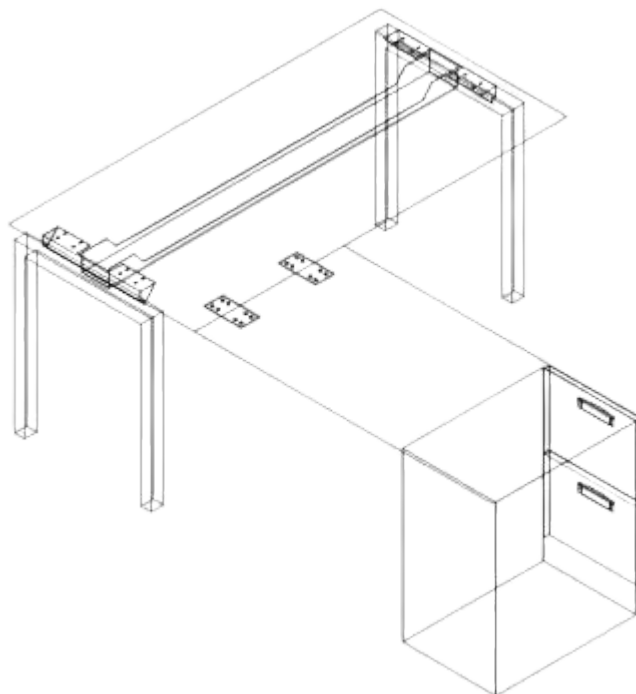
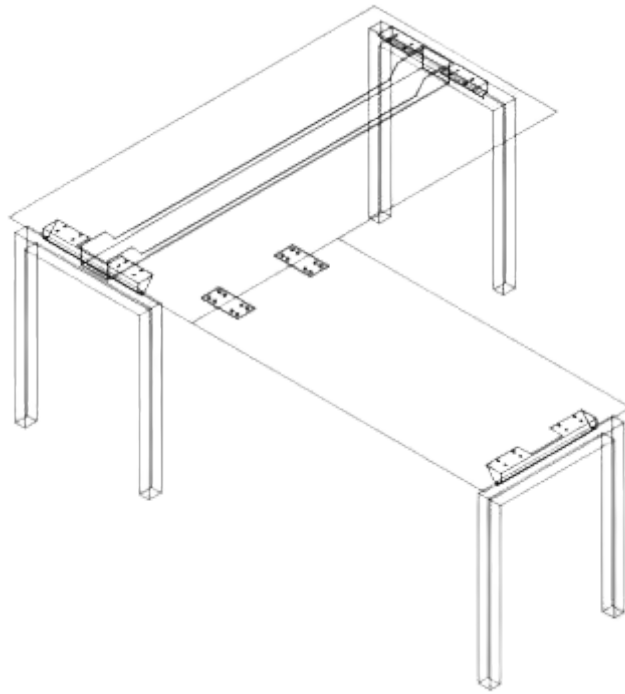


STRETCH™

benching system

Worksurface Installation

Return worksurfaces are supported via a full height pedestal or with a single end leg.



STRETCH™

benching system

Screen Bracket Installation

Screen Brackets come with all parts necessary to install as a single sided application or double sided application. As well as tow sizes of rubber to accommodate either metal/fabric screens or glass screens.



1 - 5 Hole flat plate
with threaded holes



1 - Screen Bracket
bolt cover



1 - Screen Bracket bolt
10mm x 50mm with ultra
low profile head



2 - 13mm Rubber Inserts



2 - 9mm Rubber Inserts



5 - Wood Screws #12 x 1"

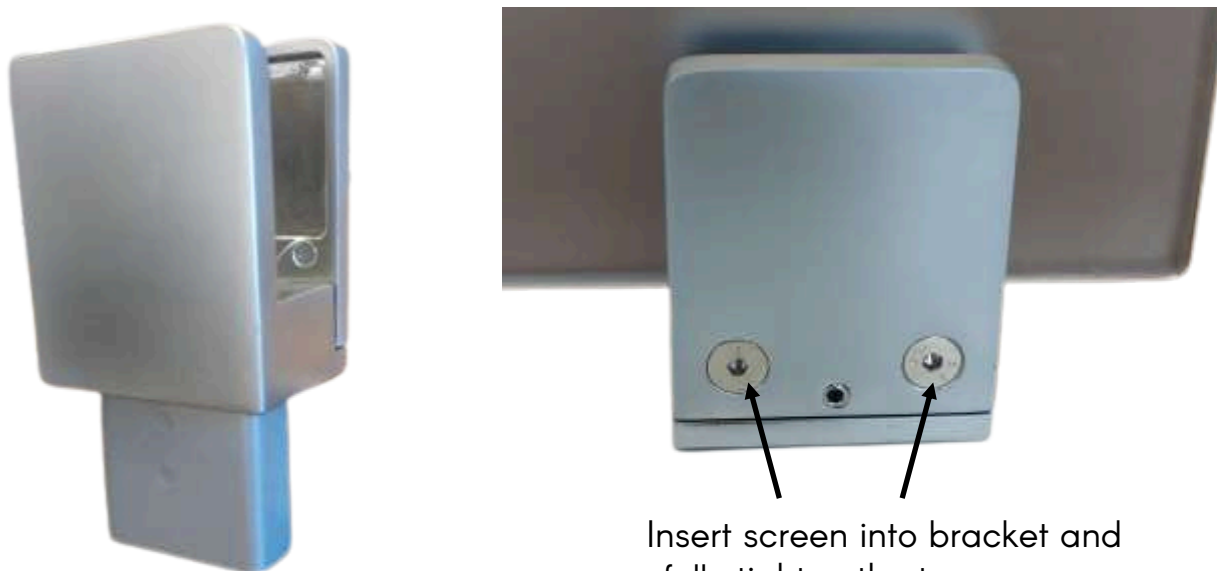
STRETCH™ benching system

Screen Bracket Installation (Single Sided Application)

Thread bracket down until it clamps the worksurface. Install two woodscrews. Through 5 hole bar into bottom side of worksurface.



Clip cosmetic bolt cover onto bolt as shown in the picture below



Insert screen into bracket and fully tighten the two screws

STRETCH™ benching system

Screen Bracket Installation (Double Sided Application)

Single sided applications are installed as shown

Bolt is centered in flat bar



Install under surface with bolt coming up between surfaces



Thread bracket onto bolt



Fully thread bracket until it clamps the surfaces



Install brackets 7" in from each side then fully tighten the brackets to the screen



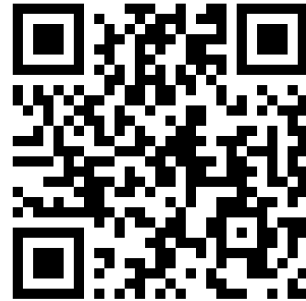
Install two wood screws on each end of 5 hole bar to bottom side of work surface

STRETCH™

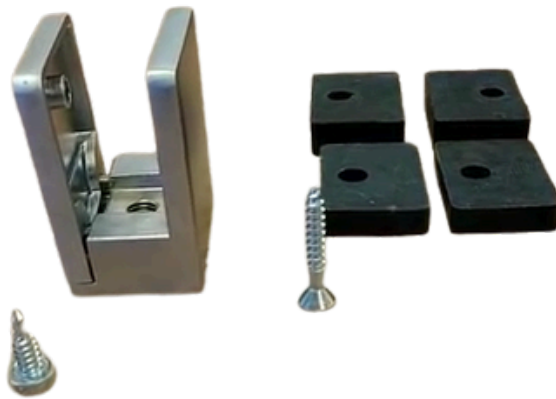
benching system

Modesty Panel Installation (Universal Screen Bracket)

Youtube Video



1. The universal screen bracket can be used to install plexiglass or aluminum modesty panels.



2. Two sizes of rubber inserts are included with the bracket.



3. Use the thicker rubber for plexiglass panels and the thinner rubber for aluminum panels.

STRETCH™ benching system

Modesty Panel Installation (Universal Screen Bracket)

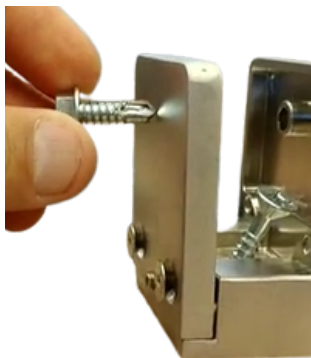
4. Install a #12 x 1.5" screw through the mounting hole in the bracket and fasten securely to the underside of the worksurface.



4. Install a #12 x 1.5" screw through the mounting hole in the bracket and fasten securely to the underside of the worksurface.

5. Insert the modesty panel into the bracket and tighten the rear clamping screws until secure.

6. The center adjustment screw can be used to slightly tip the bracket inward to create even clamping pressure on the panel.



7. For additional safety, install a self-drilling screw through the bracket collar into the panel material to prevent movement.

STRETCH™

benching system

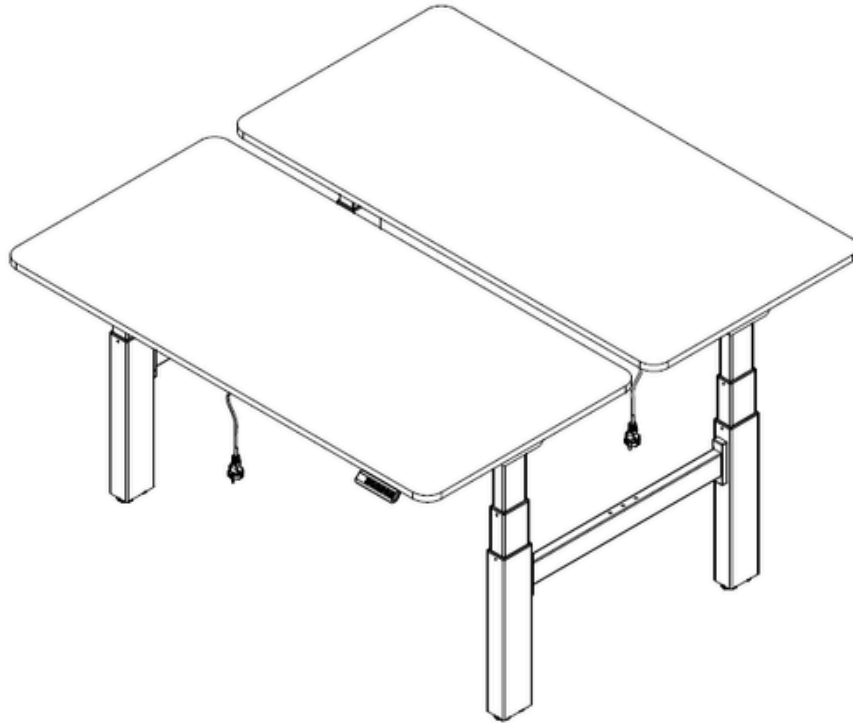
Final Check

1. Check tightness of leg to worksurface screws
2. Check that screen brackets are clamping screens with max clamping pressure
3. Check that screen brackets are fully tightened to the worksurface
4. Level all worksurfaces

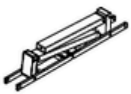





STRETCH™

benching system











Single Motor Double Sit-Stand



Parts list:

					
① x 2 pcs	② x 4 pcs	③ x 2 pcs	④ x 2 pcs	⑤ x 2 pcs	⑥ x 2 pcs

Parts list:

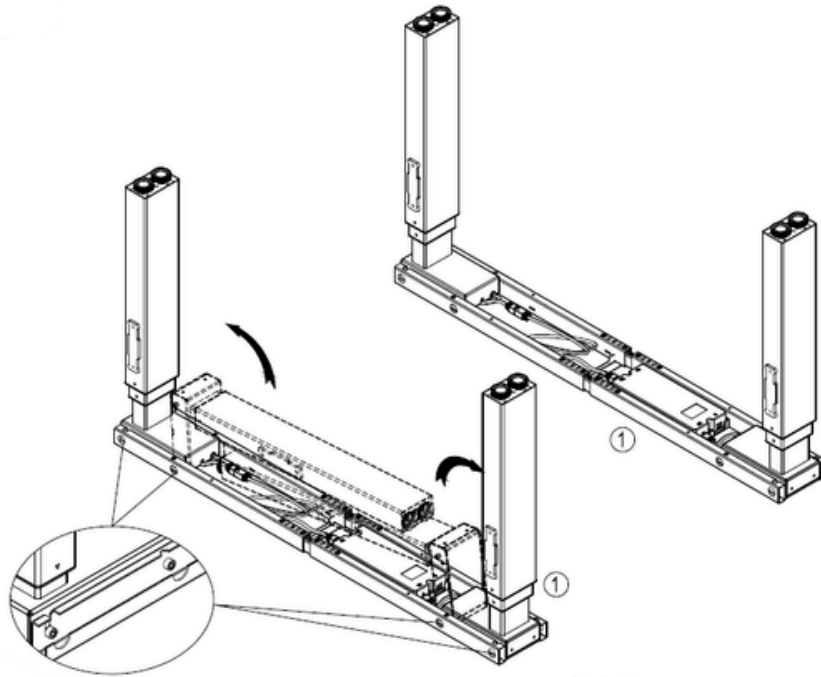
									
A x8 (M8x12)	B x8 (M6x10)	C x8 (M6x8)	E x4 (S13x16)	F x1(5mm)	G x1(4mm)	H x20	I x4	K x4	L x4

For Technical Assistance, Please Call Conklin Office Furniture
at 800.817.1187 or Email support@conklinoffice.com

STRETCH™

benching system

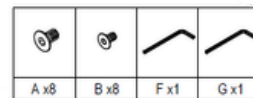
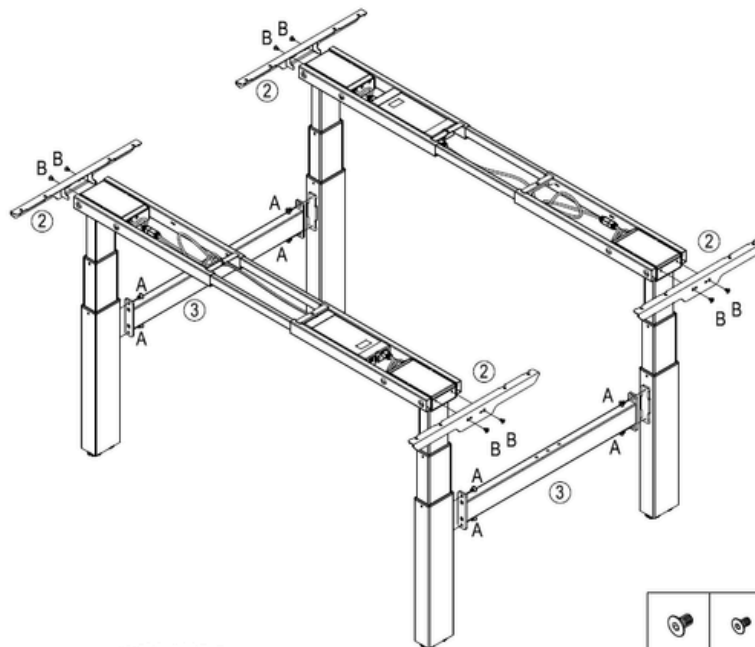
Step 1



Unfold legs

- Before unfolding legs, loosen (but do not remove) screws as shown below.
- Once legs are unfolded, tighten the screws.

Step 2

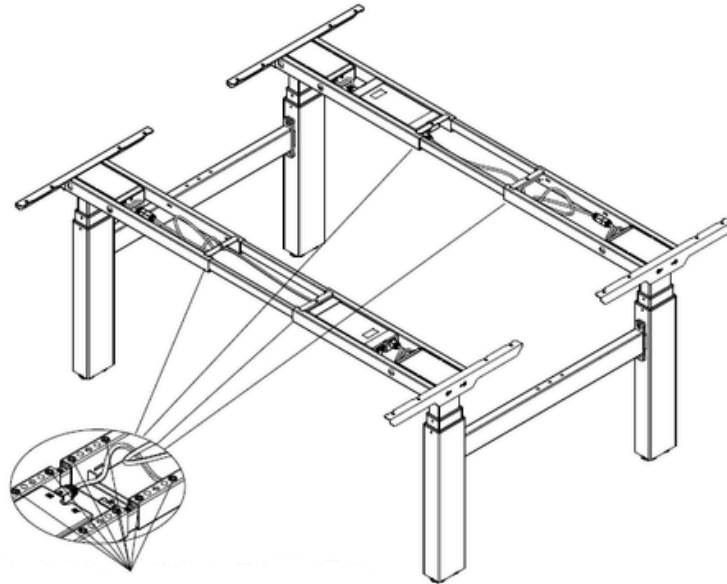


For Technical Assistance, Please Call Conklin Office Furniture
at 800.817.1187 or Email support@conklinoffice.com

STRETCH™

benching system

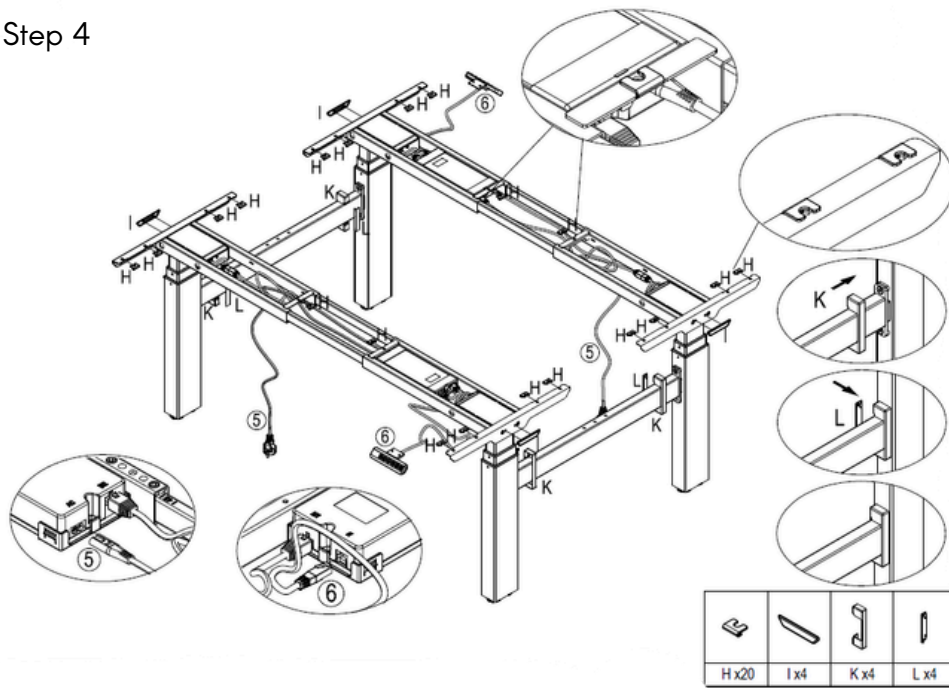
Step 3



Loosen screws on one side and slide to the desired width, then tighten.

Loosen screws on the other side and slide to the desired width, then tighten.

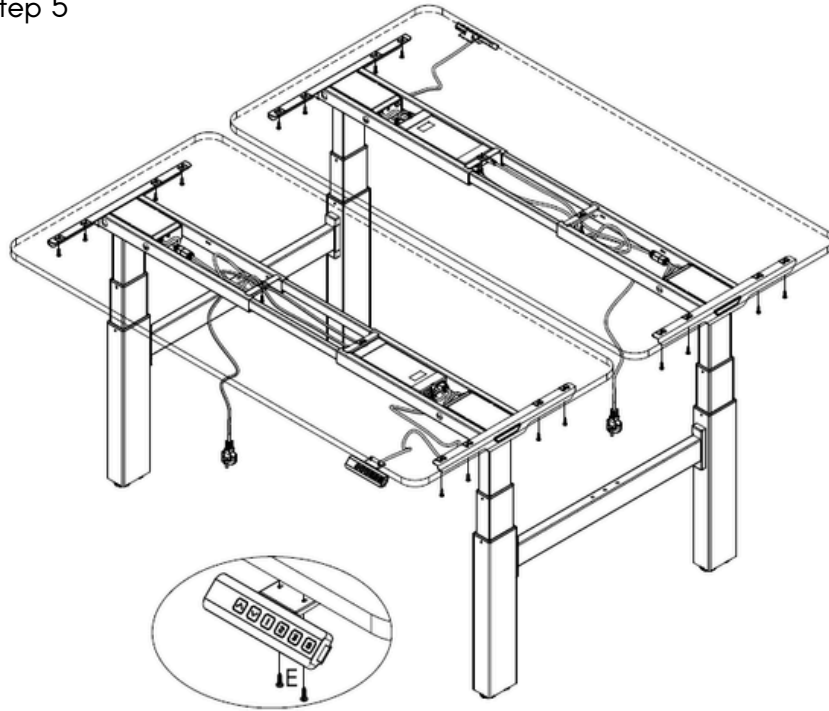
Step 4



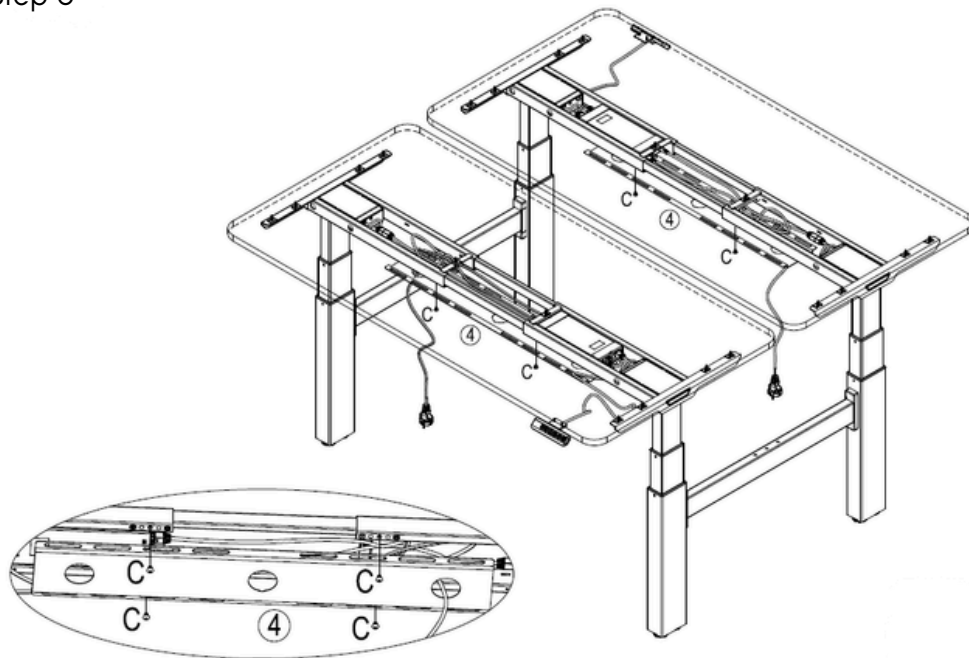
STRETCH™

benching system

Step 5



Step 6

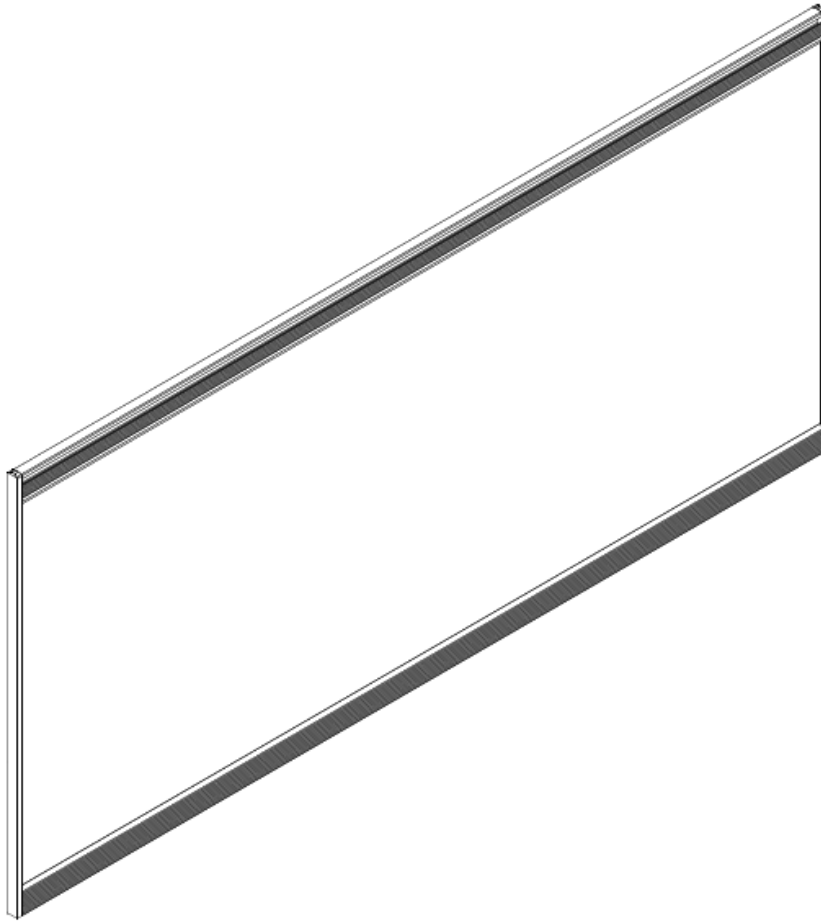


For Technical Assistance, Please Call Conklin Office Furniture
at 800.817.1187 or Email support@conklinoffice.com

STRETCH™

benching system

27" High Screen















STRETCH™

benching system












Dual Motor Sit-Stand



Parts list:

							
① x 1 pc	② x 1 pc	③ x 2 pcs	④ x 2 pcs	⑤ x 1 pc	⑥ x 1 pc	⑦ x 2 pcs	⑧ x 2 pcs
							
⑨ x 2 pcs	⑩ x 1 pc	⑪ x 1 pc	⑫ x 1 pc				

Hardware list:

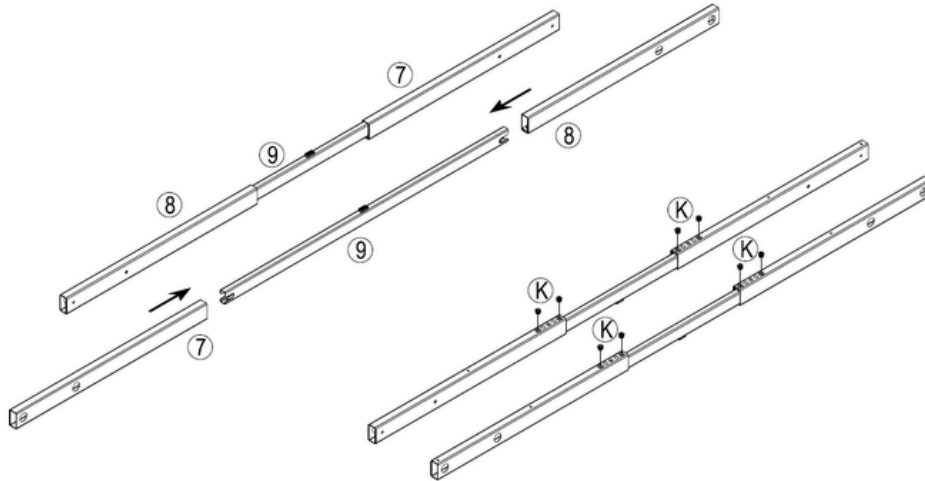
										
Ⓐ x 8 (M8x20)	Ⓑ x 4 (M6x10)	Ⓒ x 4 (M6x8)	Ⓓ x 8 (M6x12)	Ⓔ x 2 (S13.5x16)	Ⓕ x 2 (S13.9x22)	Ⓖ x 1 (4mm)	Ⓗ x 1 (5mm)	Ⓘ x 2	Ⓧ x 8	Ⓚ x 8 (M10x8)

For Technical Assistance, Please Call Conklin Office Furniture
at 800.817.1187 or Email support@conklinoffice.com

STRETCH™

benching system

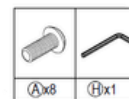
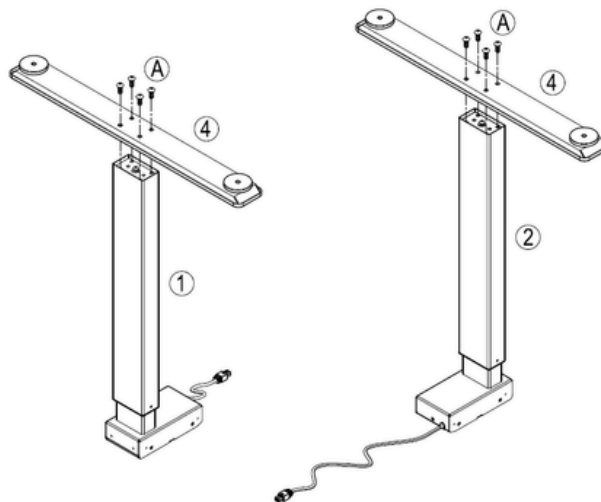
Step 1



- Insert tube (item 9) into tube (item 7&8) .
- Do not fully tighten screws until step 5.



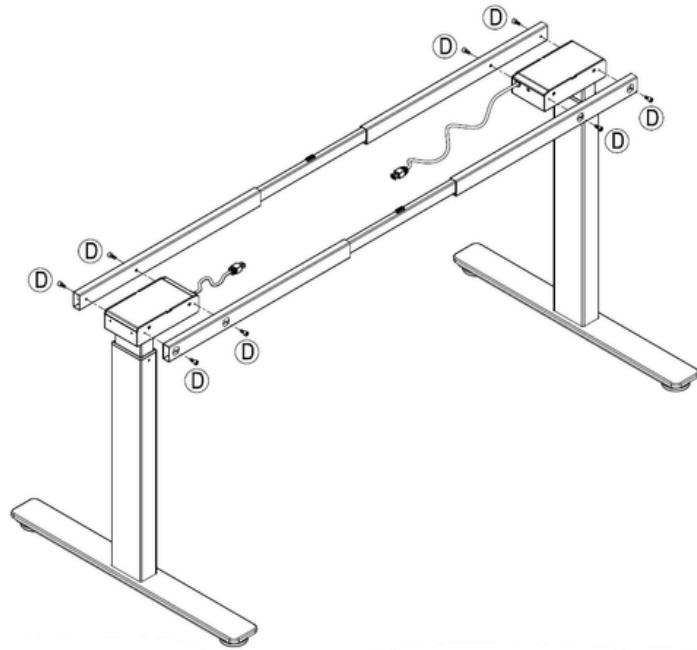
Step 2



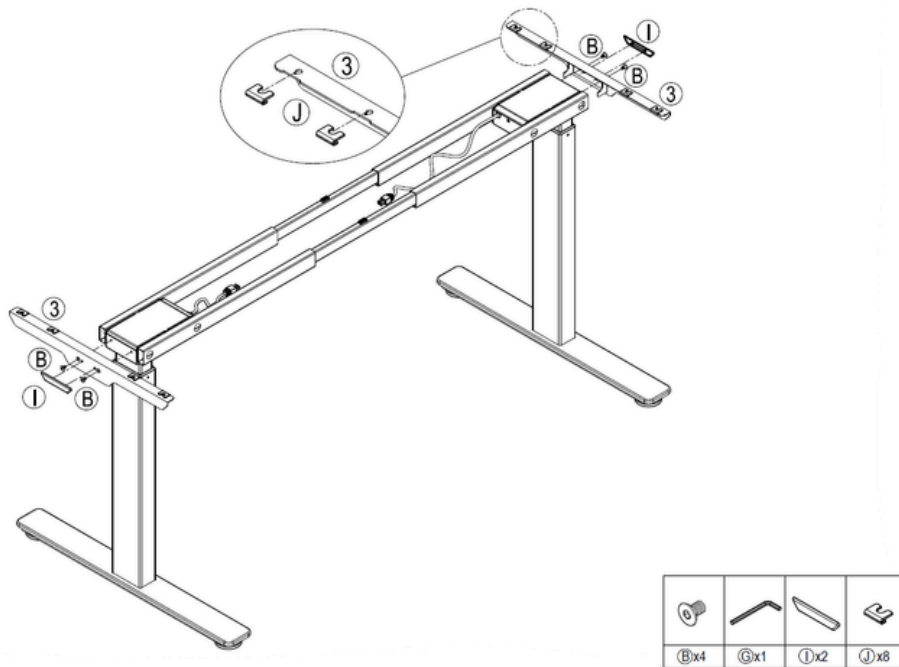
STRETCH™

benching system

Step 3



Step 4

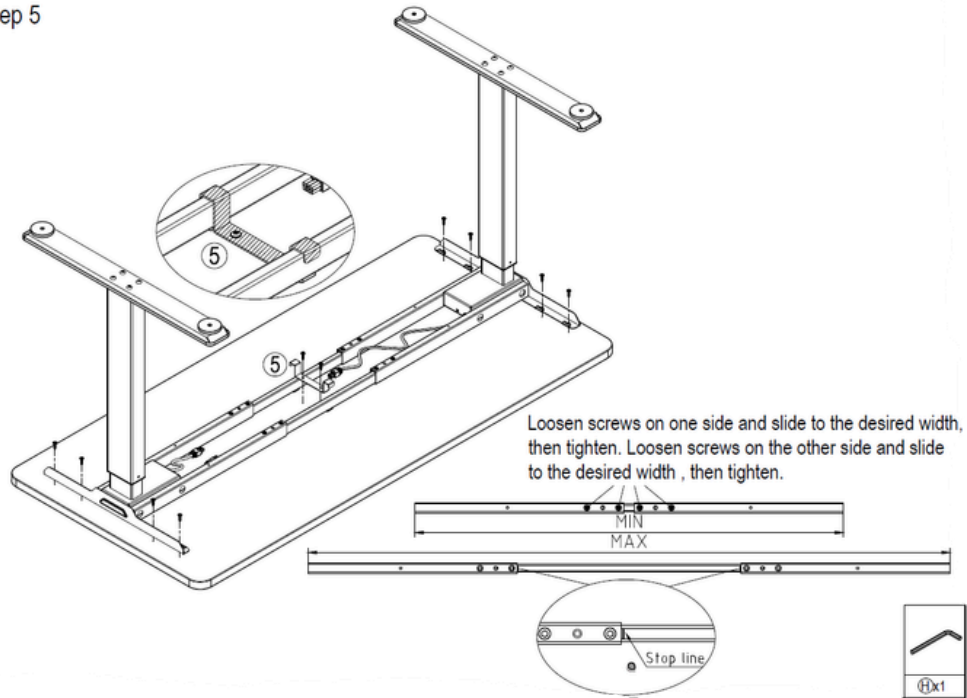


For Technical Assistance, Please Call Conklin Office Furniture
at 800.817.1187 or Email support@conklinoffice.com

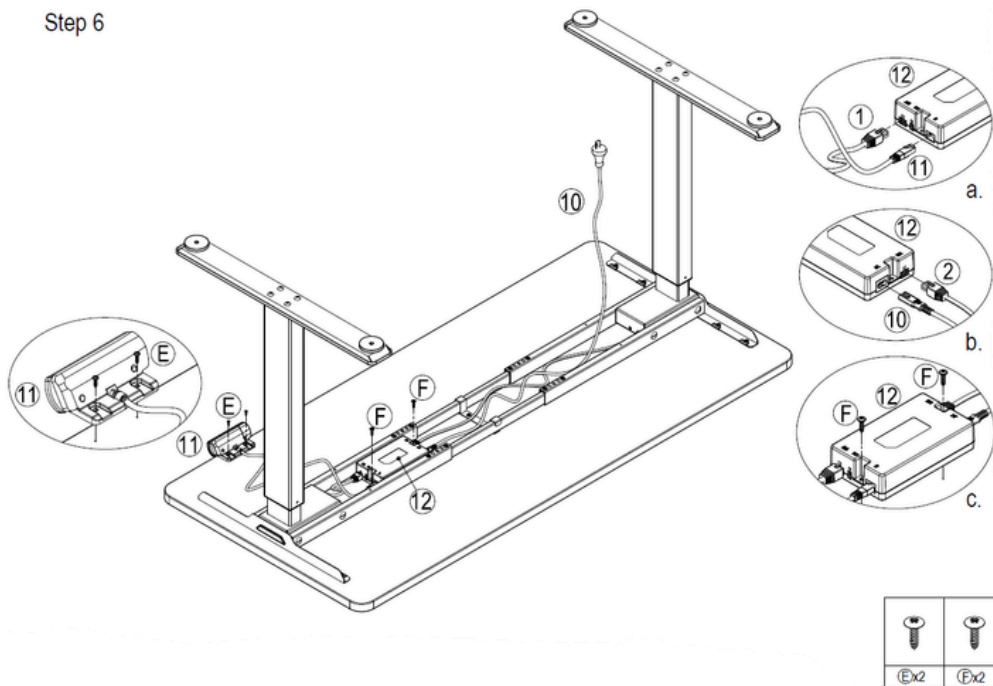
STRETCH™

benching system

Step 5



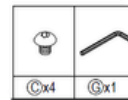
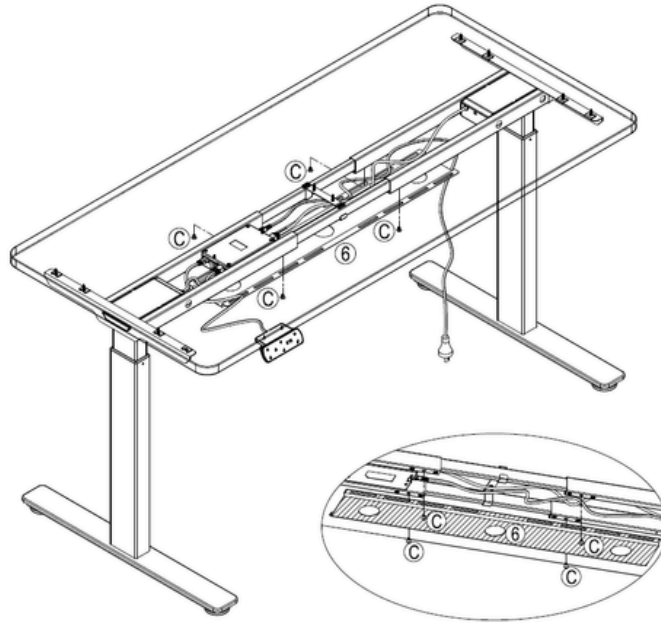
Step 6



STRETCH™

benching system

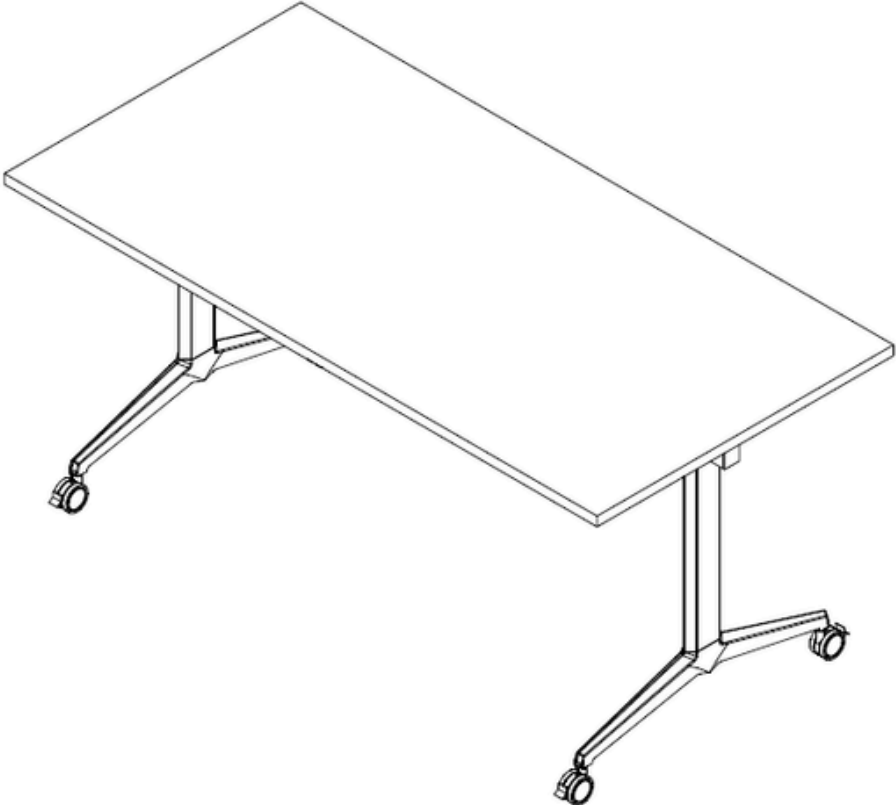
Step 7



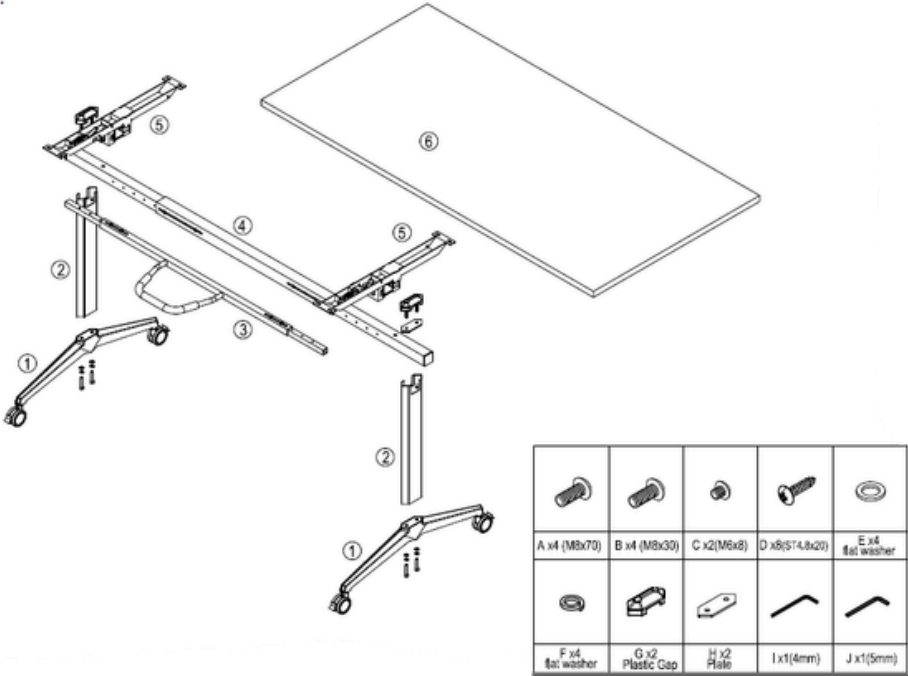
STRETCH™

benching system

Training Table



Parts list:

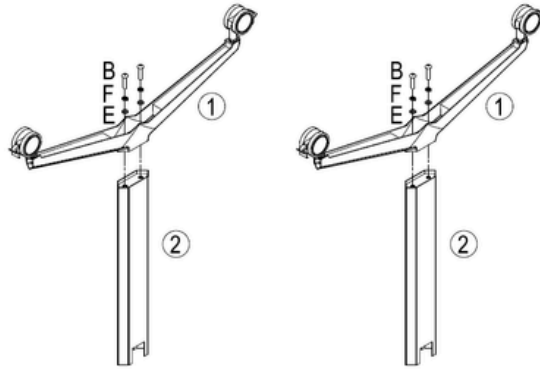






For Technical Assistance, Please Call Conklin Office Furniture at 800.817.1187 or Email support@conklinoffice.com

STRETCH™

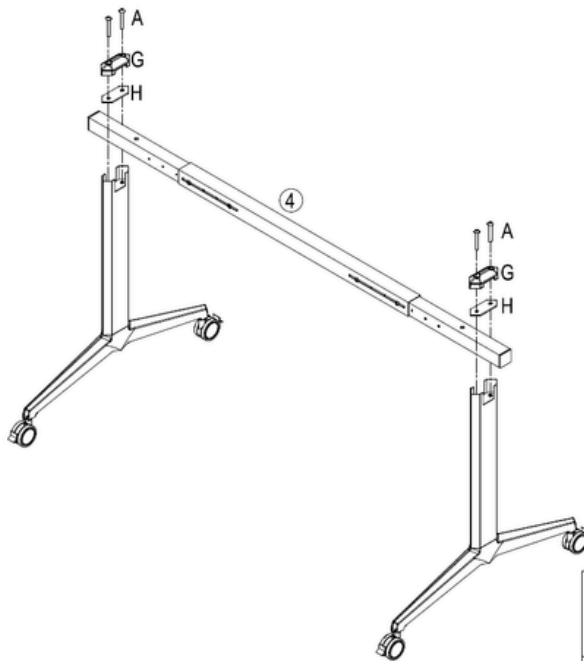
benching system





Step 1



			
B x4	E x4 flat washer	F x4 flat washer	J x1

Step 2



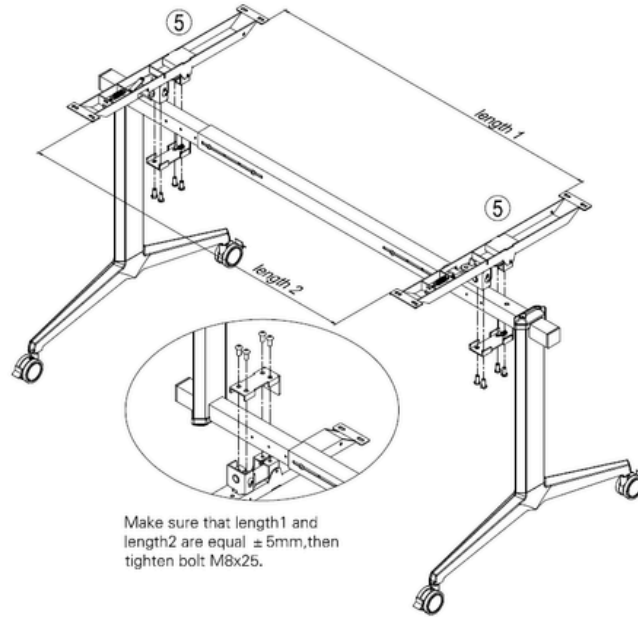
			
A x4	G x2 Plastic Gap	H x2 Plate	J x1

For Technical Assistance, Please Call Conklin Office Furniture
at 800.817.1187 or Email support@conklinoffice.com

STRETCH™

benching system

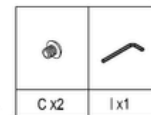
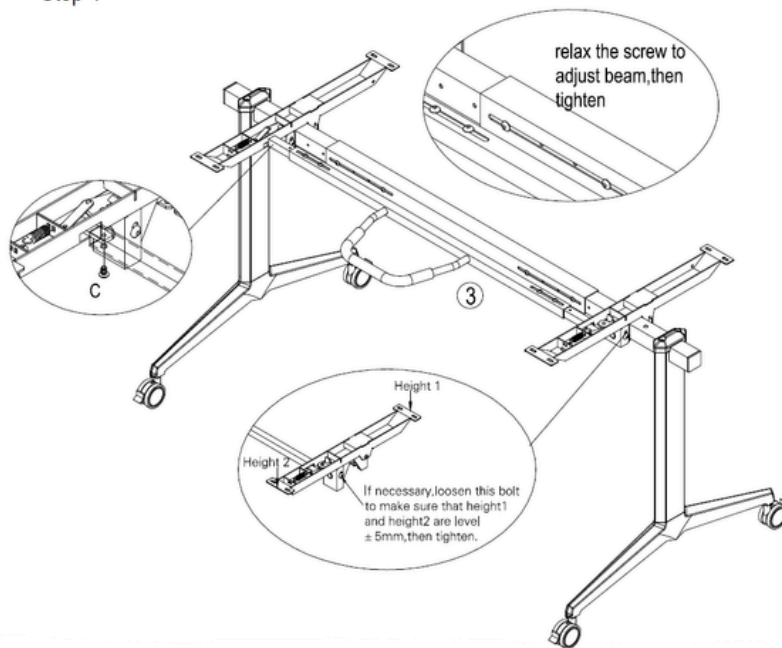
Step 3



Make sure that length1 and length2 are equal ± 5 mm, then tighten bolt M8x25.



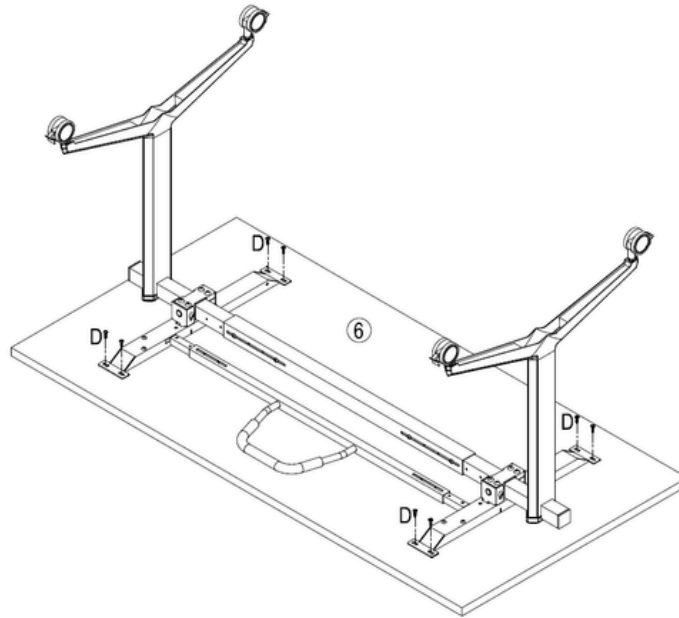
Step 4



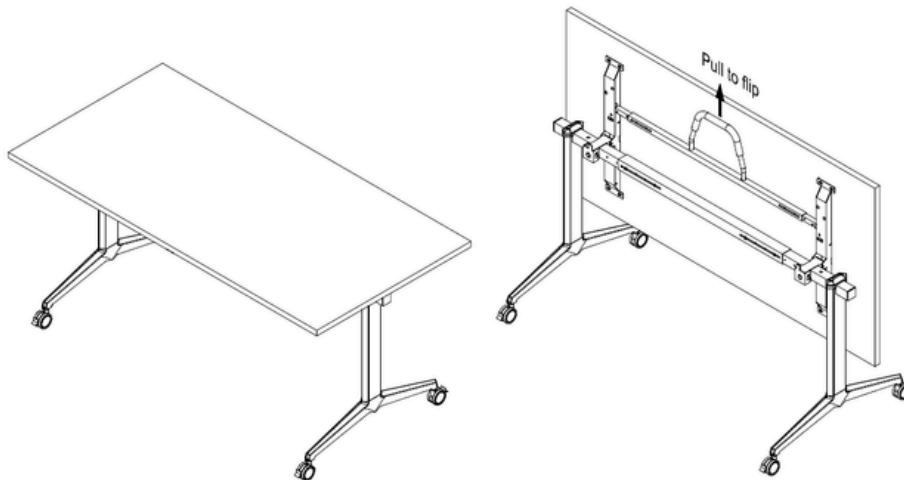
STRETCH™

benching system

Step 5



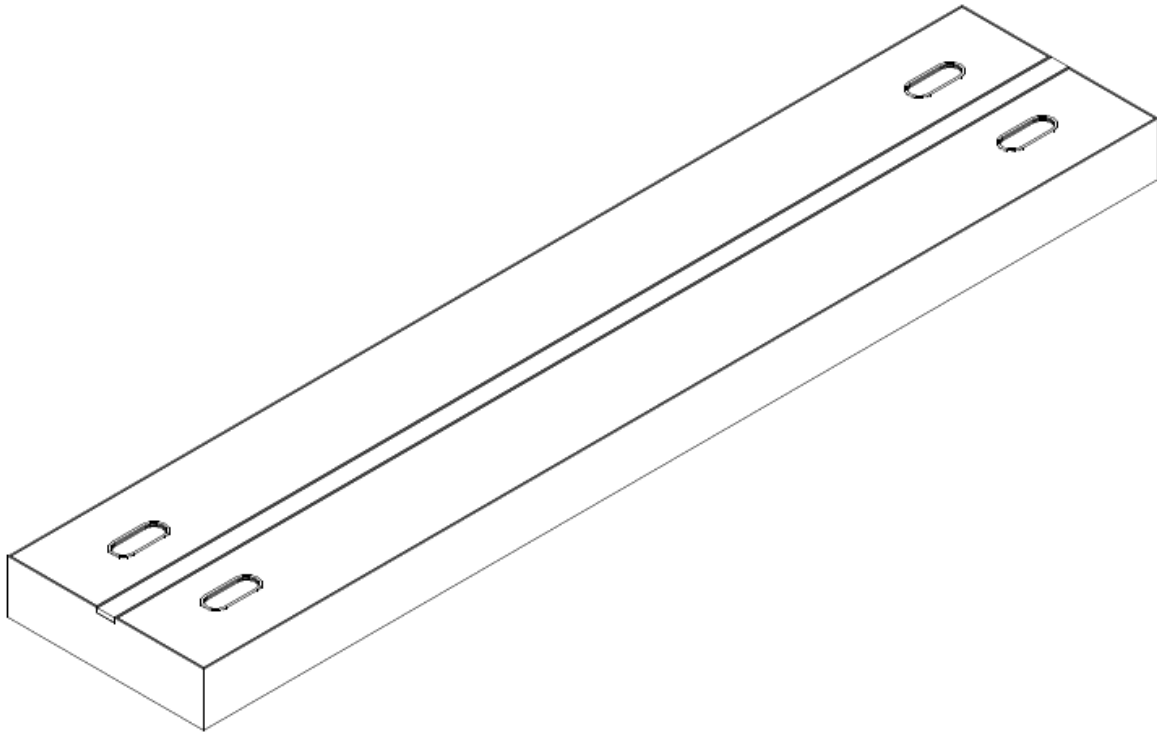
Step 6



STRETCH™

benching system

Power Beam



STRETCHTM
benching system



Contact

800.817.1187
conklinoffice.com

Address

75 Appleton Street,
Holyoke, MA 01040